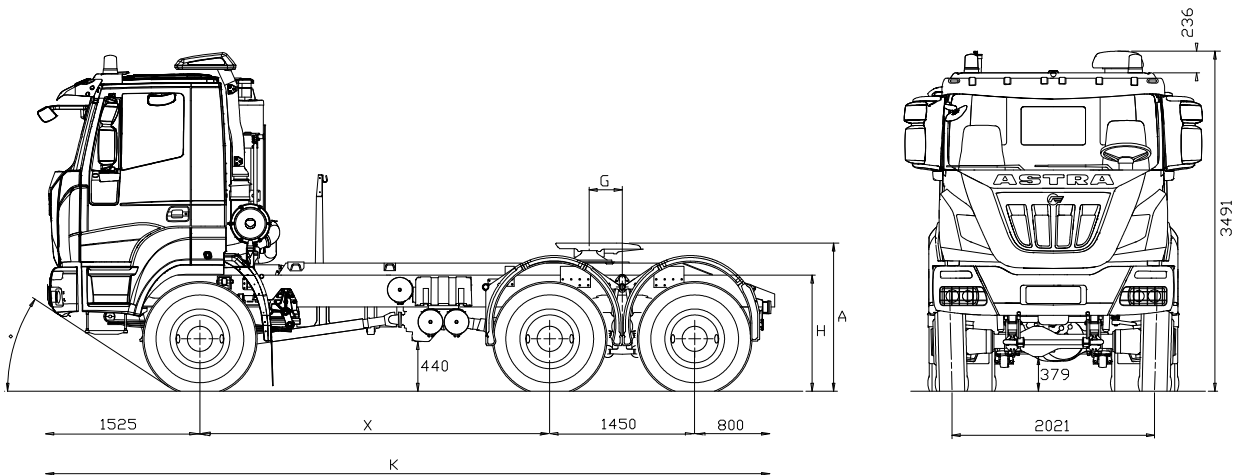




## Tractor 6x6 HD66.54



### DIMENSIONS (mm)

X	K	M max(*)	S	H		TURNING DIAMETER (wall to wall)
				unloaded	loaded	
3500	7675	5350	1200	1252	1189	17400
3800	7975	5650	1200	1252	1189	18300
4100	8275	5950	1200	1252	1189	19300

(\*) M max.: indicative value to be confirmed by bodybuilder.  
(Tyres 13R22.5)

### WEIGHTS (kg)

X	Distribution net weight(*)			Max technical weight				
	First axle	Rear axles	Net Weight	First axle	Rear axles	Weight on Fifth Wheel	Gross Vehicle Weight	Gross Combination Weight
3500	5365	4935	10300	8000 9000 (1) 10000 (2)	32000 (1)	29700	40000 (2)	104000 130000 (3)
3800	5410	4930	10340			29660		
4100	5450	4920	10370			29630		

(\*) Net weight including driver with tanks filled to at least 90%, equipped with standard equipment according to the manufacturer's specifications and, if fitted, the mass of the bodywork, spare wheels and tool box.

- (1) With tyres 325/95R24 or max speed limited to 70 Km/h depending on pneus type and brand.
- (2) With Kessler front axle and max speed limited to 70 km/h, depending on pneus type and brand.
- (3) For manual gearbox with additional parking brake air chambers. For automated gearbox check mission and configuration with Technical Dept.

Higher speeds are allowed with load reductions subject to Astra technical office approval.  
Other tyres available, subject to Astra technical office approval.

**The data shown are indicative and non-binding. Payload and vehicle dimension data must always be verified during final testing. Do not use the drawing in the present sheet to design the equipment. Astra reserves the right to make any changes at any time and without notice.**

Characteristics and equipment are subject to changes without prior notice



## ENGINE

**CURSOR 13** turbo intercooler euro 3 diesel injection/cycle with electronic unit injection pumps. Single block head, four valves per cylinder, light alloy pistons. Total displacement: 12.882 cm<sup>3</sup>. Bore for stroke: 135 x 150 mm. 6 in-line cylinders. Water cooling. Dry air filter with safety cartridge. Vertical muffler.

Max.power(EEC) 397 KW (540 HP) @ 1900 rpm  
 Max.torque(EEC) 2300 Nm (234 kgm) @ 1000 - 1690 rpm  
 Turbine VGT



## GEARBOX

Manual **ZF 16S2520TO** Ecosplit 4 technology gearbox with servoshift, 16 synchronised forward speeds + 2 reverse  
**On request:** ZF 16S2630 TO



## CLUTCH

Single dry plate, diameter 17". Pull type engagement with diaphragm spring. Hydro-pneumatic power steering engagement control, with driven disc wear recovery slave cylinder.

**On request:** Ceramic clutch 17".



## TRANSFER BOX

Mechanical with two ratios. Helical spur gears, mounted on three propeller shafts, engaged with each other. Lockable differential by pneumatic control from driver seat. Transmission ratio 1:1 - 1:1,6. Front/rear torque distribution ratio 1:2,2.



## AXLES

### FRONT

1st axle, driving and steering, in cast iron with double reduction, central by bevelled pair, lateral by epicyclic group in wheel hubs.

**On request:**

Lockable differential by pneumatic control from driver seat.

Reinforced front axle max technical weight up to 9 ton with reinforced suspension and up to 10 ton with reinforced suspension and steering system.

Available axle ratio: 5,01 - 5,47 - 5,96 - 6,28.

### REAR:

Two drive axles in tandem. Double reduction: central with beveled pair, final in the wheel hubs by means of epicycloidal assembly. Torque distribution between the axles by means of a distributor fitted on the intermediate axle. Differential lockable from driver seat. Tandem assembled to the chassis by reaction rods with silentblocks.

**On request:** Rear-axle ratio 1:3.793 -1:4.229 -1:5.009 -1:5.558 -1:6.095 -1:6.588.



## SUSPENSIONS

### FRONT

1st axle, parabolic springs, n° 4 leaves 24x90 mm, with hydraulic shock absorbers. Standard stabilizer bar.

**On request:**

Reinforced parabolic springs, n° 5 leaves 24x90 mm.

### REAR

Parabolic springs, swivelling on central pin: n° 4 leaves 40x100 mm.

**On request:**

Stabiliser bar on 2nd axle.

Stabiliser bar on 3rd axle.

Extra-reinforced conventional springs, n° 10 leaves 25x100 mm.



## CHASSIS

Special steel with high tensile strength limit, two flat and parallel side members (width 820 mm.), C section (320x90x10mm), cross members bolted to the frame. R.B.M. (Rail Bending Moment): 202.020 Nm (20.593 Kg.m.). Steel front bumpers with headlamp protection grids, front manoeuvring hook, subframe, rear underrun bar, steel fuel tank capacity 300 litres. Spot and side alighting step, rubber mudguards on 2nd and 3rd axles, toolbox.

**On request:**

Fifth wheel



## TYRES

**FRONT:** 13R22,5 156/150 G Single tubeless

**REAR:** 13R22,5 156/150 G Twin tubeless

Spare wheel on the chassis.

Other possible combinations:

315/80R22.5 156/150K

385/65R22.5 160J (\*) + 315/80R22.5 156/150K

325/95R24 162/160K (\*) (\*\*)

14.00R20 164G (\*) (\*\*)

16.00R20 173G (\*) (\*\*)

16.00R20 173G (\*) (\*\*) + 24R20.5 176F

(\*) Mandatory with 9 ton front axle load.

(\*\*) Mandatory with 10 ton front axle load.

Other tyres available, subject to the Astra technical office approval.



## BRAKES

Front and rear "duo-duplex" self-adjusting wedge type brakes with automatic play take-up. Total net braking surface 9.276 cm<sup>2</sup>. ABS + EBL system.

**Service brake:** Pedal controlled air brake, acting on all wheels.

Solo vehicles: two independent circuits, one for 1st axle, one for 2nd and 3rd axle.

Towing vehicles: three independent circuits, one for 1st axle, one for 2nd and 3rd axle and another for the trailer.

**Emergency brake:** Incorporated in service brake.

**Parking brake:** Mechanical spring-type with pneumatic control acting on 2nd and 3rd axle wheels.

**IVECO BRAKE TURBO** engine brake: braking power 255 kW (342 HP).

**On request:**

1st axle immobiliser system.

OFF/ROAD button for excluding ABS for speed 15 kph.

Front and rear "simplex" self-adjusting brake system with no ABS system.



## ELECTRICAL SYSTEM

Voltage: 24 V

Alternator generator 90 A - 28 V (2520 W).

Accumulators: 2 in series, 180 Ah.

Starter motor 24 V 5,5 kW.

Mechanically controlled electrical circuit breaker.



## CAB

Standard white short cab built in galvanized pressed steel with hydraulic tilting up to 60°. Cab suspension with 4 helicoidal springs with coaxial shock absorbers and integrated dampers, anti-roll bar and end-of-stroke pads. Tinted electric door windows. Mechanical rear view mirrors, wide angle mirrors and front view mirror. Internal panels completely washable and fireproof. Compressed air quick coupling for cab cleaning. 4-speed ventilation and heating system with air recirculation system. Air suspended 3-way adjustable driver seat with seat belts. Mechanical passenger seat with seat belts.

The data shown are indicative and non-binding. Payload and vehicle dimension data must always be verified during final testing.

Do not use the drawing in the present sheet to design the equipment.

Astra reserves the right to make any changes at any time and without notice.