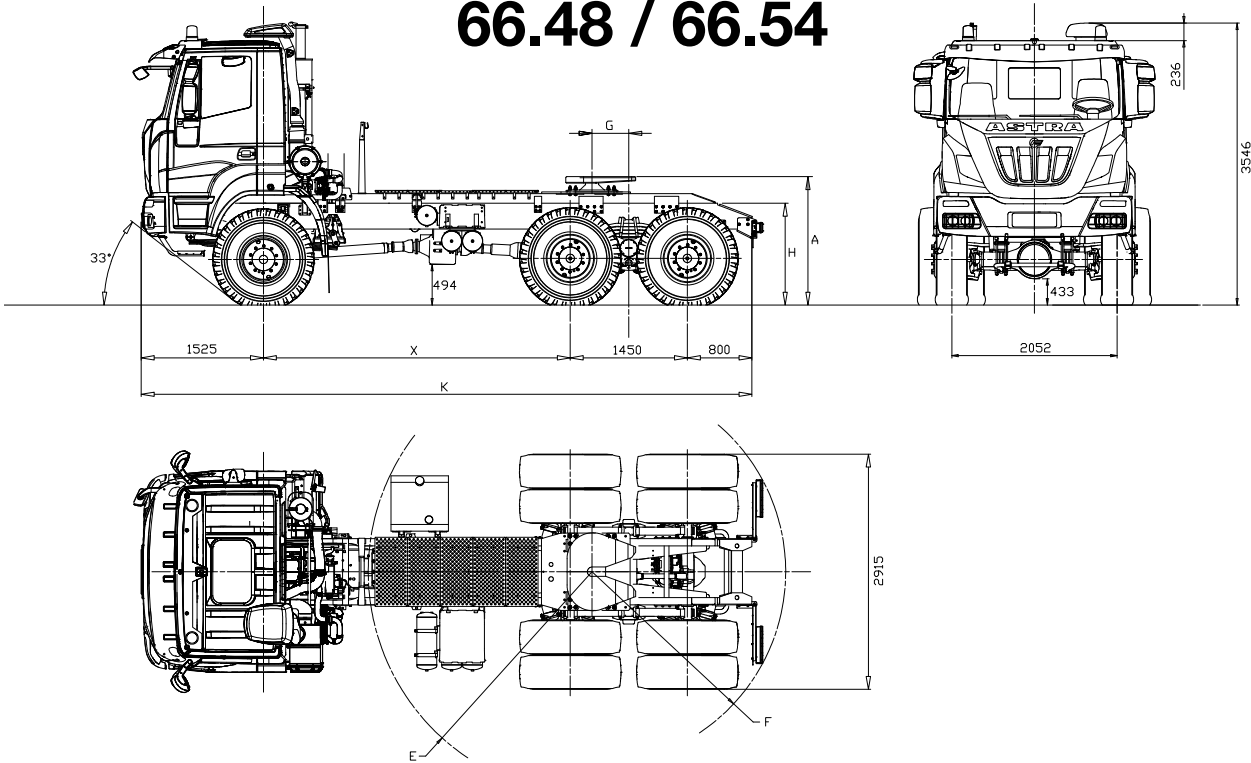




## Tractor 6x6 66.48 / 66.54



### DIMENSIONS (mm)

X	K	G	H		A		E	F	TURNING DIAMETER (wall to wall)
			UNLOADED	LOADED	UNLOADED	LOADED			
3800	7575	455	1307	1243	1637	1573	2770	2395	21470
4100	7875	465							

(Tyres 14.00R20)



### WEIGHT (kg)

Net weight distribution (*)				Max technical weight				
X	1 <sup>st</sup> axle	2 <sup>nd</sup> + 3 <sup>rd</sup> axle	NET WEIGHT	1 <sup>st</sup> axle	2 <sup>nd</sup> + 3 <sup>rd</sup> axle	Gross Vehicle Weight	Fifth wheel	Gross Combination Weight
3800	6240	6330	12570	10000 (1)	40000 (1)(2)	50000 (1)	37430	up to 250000 (3)
4100	6405	6205	12610				37390	

(\*) Weight including oil, fuel, spare wheel, driver Kg. 75, with 14.00R20 tyres.

(1) With tyres 14.00R20 and max speed limited to 70 Km/h.

(2) 43000 with max speed limited to 40 km/h.

(3) Depending on specific configuration and mission.

Higher speeds are allowed with load reductions subject to Astra technical office approval.

Other tyres available, subject to Astra technical office approval.

Technical data and general specifications - validity to be checked according to each individual configuration





## ENGINES

CURSOR 13 turbo intercooler euro 3 diesel injection/cycle with electronic unit injection pumps. 6 in-line cylinders. Single block head, four valves per cylinder, light alloy pistons. Total displacement: 12.882 cm<sup>3</sup>. Bore for stroke: 135x150 mm. Water cooling. Viscostatic cooling fan. Dry air filter with safety cartridge. Vertical muffler.

	66.48T	66.54T*
Model	Cursor 13	Cursor 13
Max. power (EEC)	353 kW (480 HP)	397 kW (540 HP)
Corresponding rpm	1.900 rpm	
Max. torque (EEC)	2.200 Nm (224 kgm)	2.350 Nm (240 kgm)
Corresponding rpm	1.000-1.440 rpm	1.000-1.690 rpm
Turbine	VGT Variable Geometry Turbine	

\*Requires additional engine radiator, for extremely hot climate (>42°C).



## GEARBOX

Manual gearbox **ZF 16 S 2520 TO** with servoshift, 16 synchronised forward speeds + 2 reverse

**On request:**

**ZF ASTRONIC 16AS2630TO:** HHD9 66.48 / HHD9 66.54

**ALLISON HD4700:** HHD9 66.48 / HHD9 66.54 (wheelbase>4100mm)

**ZF WSK440 + 16S251:** HHD9 66.54

		Speed [kph] at maximum power (*)																		
		Gears																		
		1	2	3	4	5	6	7	8	9	10	11	12	13	14	15	16	RV1	RV2	
ZF 16 S 2520 TO	<b>Gear ratio</b>	13,80	11,54	9,49	7,93	6,53	5,46	4,57	3,82	3,02	2,53	2,08	1,74	1,43	1,20	1,00	0,84	12,92	10,80	
	Rear axle ratio 1:7,29	Transfer box 1:0,913	4,7	5,7	6,9	8,3	10,0	12,0	14,3	17,2	21,7	25,9	31,5	37,7	45,8	54,6	65,5	78,0*	5,1	6,1
		Transfer box 1:1,407	3,1	3,7	4,5	5,4	6,5	7,8	9,3	11,1	14,1	16,8	20,4	24,4	29,7	35,4	42,5	50,6	3,3	3,9
ZF 16 AS 2630 TO	<b>Gear ratio</b>	14,12	11,68	9,54	7,89	6,52	5,39	4,57	3,78	3,09	2,56	2,09	1,73	1,43	1,18	1,00	0,83	13,07	10,81	
	Rear axle ratio 1:7,29	Transfer box 1:0,913	4,6	5,6	6,9	8,3	10,0	12,2	14,4	17,4	21,2	25,6	31,4	37,9	45,9	55,5	65,5	79,2*	5,0	6,1
		Transfer box 1:1,407	3,0	3,6	4,5	5,4	6,5	7,9	9,3	11,3	13,7	16,6	20,4	24,6	29,8	36,0	42,5	51,4	3,3	3,9

(\*) Max limited speed 70 km/h. Other speeds available, subject to the Astra technical approval.

		Speed [kph] at maximum power (*)								
		Gears								
		1	2	3	4	5	6	7	RV	
ALLISON HD 4700	<b>Gearbox ratio</b>	7,63	3,51	1,91	1,43	1,00	0,74	0,64	4,80	
	Rear axle ratio 1:7,29	Transfer box 1:0,913	8,6	18,7	34,3	45,8	65,5	88,6*	102,4*	13,7
		Transfer box 1:1,407	5,6	12,1	22,3	29,7	42,5	57,5	66,4	8,9

(\*) Max limited speed 70 km/h. Other speeds available, subject to the Astra technical approval.



## P.T.O.

**On request:**

Gearbox	ZF 16S 2520 TO	Max. torque	Application
P.T.O.	Ratio	Nm	
ZF NH/1b	0,91/1,09:1	1000	For tipping unit pumps, pumps for cranes, etc..
ZF NH/1c	0,91/1,09:1	1000	For tipping unit pumps, unit pumps for concrete, pumps for cranes, ecc...
ZF NH/4c	1,17/1,40:1	430	For tipping unit pumps, ecc...
ZF N221/10B-PL + NL/1c	1,75/2,09:1+0,91/1,09:1	560+600	double PTO for concrete pumps

**ZF NMV 221 Power take-off** (ratio 1,55:1) max available torque 1300 Nm for concrete pumps.

**ZF NMV 221 Power take-off** (ratio 0,98:1) max available torque 2000 Nm for concrete pumps.

**Multipower power take-off** (ratio 1,29:1) max available torque 900 Nm for concrete mixers.

**Parker Chelsea 870 XAF power take-off** (ratio 1,67:1) max available torque 908 Nm for Allison gearbox.

**Parker Chelsea 870 XBF power take-off** (ratio 1,56:1) max available torque 854 Nm for Allison gearbox.

Technical data and general specifications - validity to be checked according to each individual configuration



## CLUTCH

Single dry plate, diameter 17". Pull type engagement with diaphragm spring control. Hydro-pneumatic power steering engagement with driven disc wear recovery slave cylinder.

**On request:**

Ceramic clutch 17".



## TRANSFER BOX

Mechanical with two ratios. Helical spur gears, mounted on three propeller shafts, engaged with each other. Lockable differential by pneumatic control from driver seat.

Air-oil cooler.

	480 HP	540 HP
Model	STEYR VG2700	
Transmission ratio	1:0,913 - 1:1,407	
Front/rear torque distribution ratio	1:2,6	



## AXLES

### FRONT

1<sup>st</sup> Kessler axle, driving and steering, steel housing. Max technical weight 10 ton. Double reduction, central by bevel gear, final by planetary gear in wheel hubs.

**On request:**

Cross-axle differential lock.

### REAR

Two Kessler driving axles in tandem. Max technical weight 40 ton. Double reduction: central with bevel gear, final by planetary gear in wheel hubs. Tandem linked to the chassis by reaction rods with silentblocks.

Rear axle ratio 1:7,29.



## SUSPENSIONS

### FRONT

1<sup>st</sup> axle, parabolic springs, 5 leaves 24x90 mm, with hydraulic shock absorbers. Standard stabilizer bar.

### REAR

Parabolic springs, swivelling on central pin: 5 leaves 40x100 mm. Standard stabilizer bar on 3<sup>rd</sup> axle.

**On request:**

Stabilizer bar on 2<sup>nd</sup> axle.



## CHASSIS

Special steel with high tensile strength limit, two flat and parallel side members (width 820 mm.), C section (320x90x10mm), cross members bolted to the frame.

R.B.M. (Rail Bending Moment): 202.020 Nm (20.593 kgm). Steel front bumpers with headlamp protection grids, front manoeuvring hook, rear underrun bar, steel fuel tank capacity 300 litres.

Fifth wheel helper frame, spot and side alighting step, toolbox, fixed fifth wheel JSK 50.

**On request:**

Rapid pneumatic connection for tyre inflation.

Rear manoeuvring hook.

Front bumper climbing step.



## TYRES

**FRONT:** 14.00R20 Pirelli PS 22 Single Tubeless

**REAR:** 14.00R20 Pirelli PS 22 Twin Tubeless

Spare wheel on the chassis.

Other tyres available, subject to the Astra technical office approval.



## PNEUMATIC SYSTEM

Two-cylinder 630 cc compressor, APU (Air Processing Unit) that includes: regulation valve set at 10.3 bar, drier, 4-way safety valve, pressure reduction valve for parking circuit and services. 3 air tanks, capacity 30 litres + 1 with 20 litres. ABS system and EBL (Electronic Brake Limiter).



## BRAKES

Front and rear drum brakes, Duo-Duplex with automatic slack adjuster. ABS + EBL.

**Service brake:** Pedal controlled air brake, acting on all wheels.

**Solo vehicles:** two independent circuits, one for 1<sup>st</sup> axle, one for 2<sup>nd</sup> and 3<sup>rd</sup> axle; 1<sup>st</sup> category wheels antilock system.

**Towing vehicles:** three independent circuits, one for 1<sup>st</sup> axle, one for 2<sup>nd</sup> and 3<sup>rd</sup> axle and another for the trailer; 1<sup>st</sup> category wheels antilock system.

**Emergency brake:** Integrated in service brake.

**Parking brake:** Mechanical spring-type with pneumatic control acting on 2<sup>nd</sup> and 3<sup>rd</sup> axle wheels.

**IVECO BRAKE TURBO engine brake:**

HHD9 480/540 HP braking power 300 kW (402 HP).

**On request:**

Hydraulic interarder.

1<sup>st</sup> axle immobiliser system.

OFF/ROAD button for excluding ABS for speed < 15 kph.



## STEERING

Hydraulic power steering ZF 8099 on chassis with variable ratio 1:22.2/1:26.2, with auxiliary cylinder. Hydraulic pump flanged to engine. Steering linkage with self lubricating floating joints.

Emergency steering pump on transfer box.

Mechanically adjustable steering wheel for height and angle.



## SERVICE DATA(I)

Engine oil sump and filters .....	28 (+2,5)
Gearbox oil .....	14,5
Power steering oil.....	18
Cab tipping oil .....	1
Clutch circuit oil.....	0,5
Transfer box oil .....	10
Front axle oil .....	22,5
Intermediate axle oil .....	21,5
Rear axle oil.....	22,5
Engine cooling water.....	33
Diesel.....	300



## ELECTRICAL SYSTEM

Voltage: 24 V

Alternator generator 90 A - 28 V (2520 W).

Accumulators: 2 in series, 170 Ah.

Starter 24 V 5,5 kW.

Mechanically controlled electrical circuit breaker.

Anti-block system ABS with 4-conduits and 4-electric valves-electronic system.

1 electrical joint 7-pole(ISO 7638) for trailer ABS(if applicable).

1 electrical joint 15-pole(ISO 12089-4091) for trailer lighting (if applicable).

Electrical provision for outfitters.

Provision for diagnostics.

Provision for radio/cb (without speakers)

Glow plug for cold start.

**On request:**

225 Ah accumulators;

Reverse alarm.



## INSTRUMENTATION

Dashboard and ergonomic instrument board contain the function buttons and the identification commands.

Indicator lights: engine oil low pressure, alternator charging low, main beam lights, side lights, engine warm-up, rear fog light, hazard lights, tractor turn indicators, trailer turn indicators

(if applicable), rotating lights, cab lifted, axles differential locked,

differential lock, low front brakes air pressure, low rear brakes air pressure, low trailer brakes air pressure (if applicable), parking brake engaged, splitter (reduction on), slow speeds (1-4/9-12), power take-off on (if applicable) air filters clogged, low power steering oil level, rear view mirrors heated (if applicable), ABS, trailer ABS (if applicable), main steering circuit failure, steering auxiliary circuit failure.



## CAB

Standard white short cab (AD/HD) built in galvanized pressed steel with hydraulic tilting up to 60°. Cab suspension with 4 helicoidal springs with coaxial shock absorbers and integrated dampers, anti-roll bar and end-of-stroke pads.

Tinted electric powered door windows.

Rear view mirrors, wide angle mirrors and front view mirror.

Internal panels completely washable and fireproof.

Compressed air quick coupling for cab cleaning. 4-speed ventilation and heating system with air recirculation system.

Air suspended 3-way adjustable driver seat with seat belts.

Mechanical passenger seat with seat belts.

**On request:**

RHD.

Air conditioning with anti-pollen filter.

Cab rear window.

Car radio RDS, CD.

Car radio RDS, CD, MP3 Bluetooth technology.

External sun visor.

Extra colour cab: to be specified in the order.

Heated and electric powered rear view mirrors.

Long cab (AT/HT) with interior equipment (seats and beds) on request.

Remote controlled and centralized closing of doors.

Roof hatch.

Rotating lights on top of the cab.

White engine hood with central mask in IC575 colour.

---

### ASTRA Veicoli Industriali

Via Caorsana, 79

29122 Piacenza (Italy)

Tel. +39-0523/54311

Fax +39-0523/591773

www.iveco-astra.com

### DEALER

03 - 2016 A3502410

Characteristics and equipment are subject to changes without prior notice.



Technical data and general specifications - validity to be checked according to each individual configuration